

## Meriam 200 Series Piston Gauge

### Specifications

Accuracy:	+2% of the FSD (Ascending)
Migration:	Minor from high to low port
Range:	0-10, 25, 50, 75, 100 Psid First marking on the scale: 20% of FSD
Sensing element:	Piston
Wetted parts:	Body material, SS spring, ceramic magnet & seals
Case material:	Engineered polymer
Dial size:	2.5" (square), 4.5" (round)
Mounting:	Direct, front flange, 2" pipe & surface mounting
Maximum working pressure:	3000 Psig for Aluminum & Brass, 6000 Psig for SS
Maximum process temperature:	200° F / 93° C
Body material:	Aluminum & 316 SS
Seals:	Buna-N
Lens:	Plexiglass (acrylic)
Connection:	1/4" NPT(F) Std.
Porting:	In-line
Over range protection:	Up to the MAWP from high & low side
Protecting for gauge and switch:	NEMA-4X / IP65



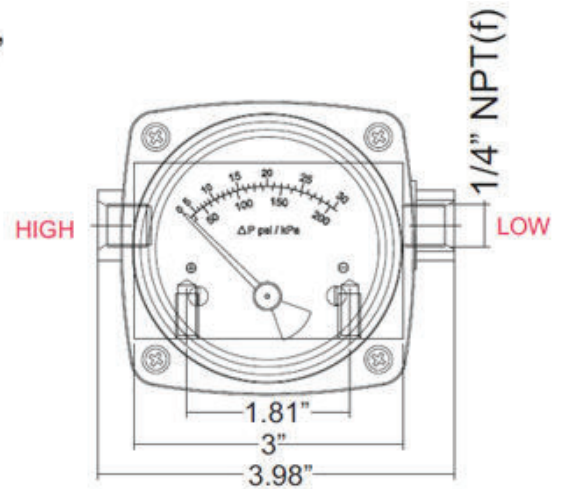
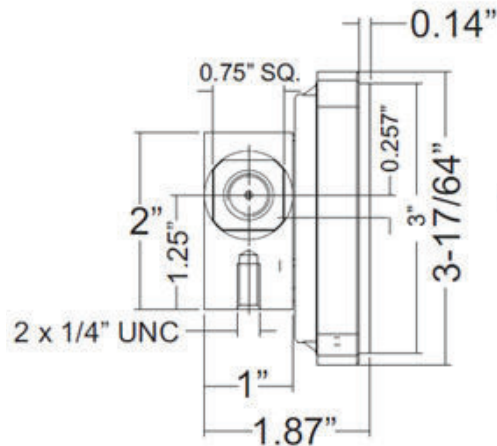
## Meriam 300 Series Convoluted Diaphragm Gauge

### Specifications

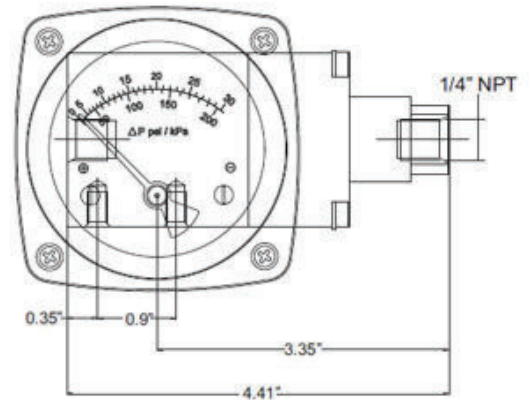
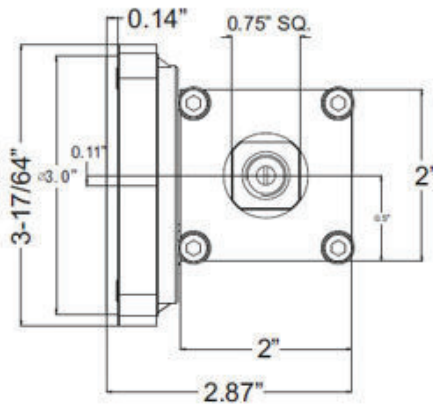
Accuracy:	+2% of the FSD (Ascending)
Migration:	No migration; Zero leakage from high to low port
Range:	0-5, 15, 25, 60 Psid
First marking on the scale:	15% of FSD
Sensing element:	Diaphragm
Wetted parts:	Diaphragm, body material, SS spring & ceramic magnet
Case material:	Engineered polymer
Dial size:	2.5" (square), 4.5" (round)
Mounting:	Direct, front flange, 2" pipe & surface mounting
Maximum working pressure:	1500 psi / 100 Bar
Maximum process temperature:	200° F / 93° C
Body material:	Aluminum & 316 SS
Seals:	Buna-N
Lens:	Plexiglass (acrylic)
Connection:	1/4" NPT(F) Std.
Porting:	In-line
Over range protection:	Up to the max. working pressure from high side
Protection for gauge and switch:	NEMA-4 / IP65



## Meriam 200 Series Piston Gauge



## Meriam 300 Series Piston Gauge



## Applications

- Filter Monitoring
- Pump Performance
- Level Measurement
- Flow
- Flow Direction
- Pressure Monitoring
- Flow Rate
- Strainer Monitoring
- Condition Monitoring of Heating/Cooling System
- Air Filter and Collector/Bag Filter Monitoring
- Collector/Bag Filter Monitoring
- Blower Performance